



Features

- Photo isolation
- Max. load current: 400mA
- Insulation resistance: 1000MΩ
- Environmental friendly product (RoHS compliant)

DESCRIPTION

HFS2 series are miniature photomos relays, using photoelectric isolation technology to achieve weak and strong electric isolation. MOSFET output, can be connected to AC load and DC load. The series relay has a low on-state resistance and the output leakage current.

TYPICAL APPLICATIONS

- High-speed inspection machines
- Telephones equipment
- Data communication equipment
- Equipment calculation

INPUT (Ta = 25°C)

	Normally open	Normally closed
Control current range	5mA to 50mA	5mA to 50mA
Must release current	0.2mA	5mA
Must operate current	5mA	0.2mA

PRECAUTIONS

1. HFS2 relays are static sensitive products, should attention to anti-static in the whole process of mount.
2. Soldering must be completed within 10s at 260°C or less or within 5s at 350°C or less.
3. The input circuitry does not incorporate a circuit protecting the SSR from being damaged due to a reversed connection. Make sure that the polarity is correct when connecting the input lines.
4. Please do not use the relay beyond the descriptions in the data sheet. If it is a must to use it beyond descriptions, please contact Hongfa for more technical support.

GENERAL (Ta = 25°C)

Dielectric strength (input to output)	SOP: 1500VAC, 50Hz/60Hz, 1min DIP/SMD: 2500VAC, 50Hz/60Hz, 1min
Insulation resistance	1000MΩ (500VDC)
Max. capacitance (input to output)	1.5pF
Vibration resistance	10Hz to 55Hz 3mm DA
Shock resistance	4900m/s ²
Operating temperature	-40°C to 80°C
Storage temperature	-40°C to 100°C
Ambient humidity	45% to 85% RH
Unit weight	Approx. 0.6g



HONGFA RELAY

ISO9001、ISO/TS16949、ISO14001、OHSAS18001、IECQ QC 080000 CERTIFIED

2010 Rev. 1.00

OUTPUT (Ta = 25°C)

	Normally open		Normally closed	
Load current	HFS2/□A□10P	350mA	HFS2/□B□10P	150mA
	HFS2/□A□10D	400mA	HFS2/□B□10D	200mA
	HFS2/□A□10S	400mA	HFS2/□B□10S	200mA
	HFS2/□A□12P	150mA	HFS2/□B□12P	80mA
	HFS2/□A□12D	200mA	HFS2/□B□12D	100mA
	HFS2/□A□12S	200mA	HFS2/□B□12S	100mA
	HFS2/□A□13P	100mA	HFS2/□B□13P	80mA
	HFS2/□A□13D	130mA	HFS2/□B□13D	100mA
	HFS2/□A□13S	130mA	HFS2/□B□13S	100mA
	HFS2/□A□14P	100mA	HFS2/□B□14P	80mA
	HFS2/□A□14D	130mA	HFS2/□B□14D	100mA
	HFS2/□A□14S	130mA	HFS2/□B□14S	100mA
Max.surge current(10ms)	HFS2/□A□10P	600mA	HFS2/□B□10P	250mA
	HFS2/□A□10D	700mA	HFS2/□B□10D	300mA
	HFS2/□A□10S	700mA	HFS2/□B□10S	300mA
	HFS2/□A□12P	300mA	HFS2/□B□12P	200mA
	HFS2/□A□12D	400mA	HFS2/□B□12D	250mA
	HFS2/□A□12S	400mA	HFS2/□B□12S	250mA
	HFS2/□A□13P	300mA	HFS2/□B□13P	200mA
	HFS2/□A□13D	300mA	HFS2/□B□13D	250mA
	HFS2/□A□13S	300mA	HFS2/□B□13S	250mA
	HFS2/□A□14P	250mA	HFS2/□B□14P	200mA
	HFS2/□A□14D	300mA	HFS2/□B□14D	250mA
	HFS2/□A□14S	300mA	HFS2/□B□14S	250mA
Max.leakage current				10μA
Max.turn-on time				1ms
Max.turn-off time				1ms
On resistance	HFS2/□A□10□	1.4Ω	HFS2/□B□10□	6Ω
	HFS2/□A□12□	10Ω	HFS2/□B□12□	30Ω
	HFS2/□A□13□	30Ω	HFS2/□B□13□	50Ω
	HFS2/□A□14□	30Ω	HFS2/□B□14□	50Ω

ORDERING INFORMATION

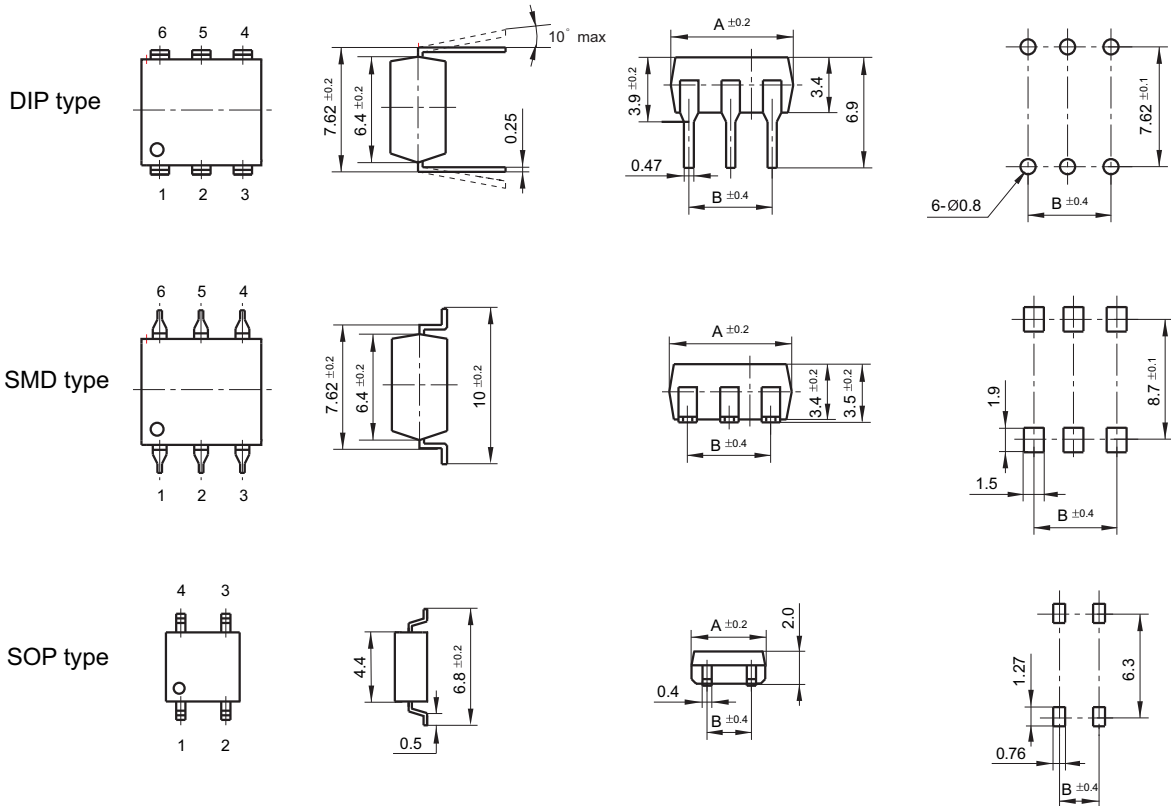
Type	HFS2 /				2	A	2	1	4	D	(XXX)
Output number	2: Dual		Nil: Single								
Output mode	A: Normal open		B: Normal closed								
Pins	1: 4 pins		2: 6 pins		3: 8 pins						
Level	1: Standard type										
Load voltage	0: 60V		2: 200V		3: 350V		4: 400V				
Mount mode	D: DIP		S: SMD		P: SOP						
Customer special code											

OUTLINE DIMENSIONS, WIRING DIAGRAM AND PC BOARD LAYOUT

Unit:mm

Outline Dimensions

PCB Layout

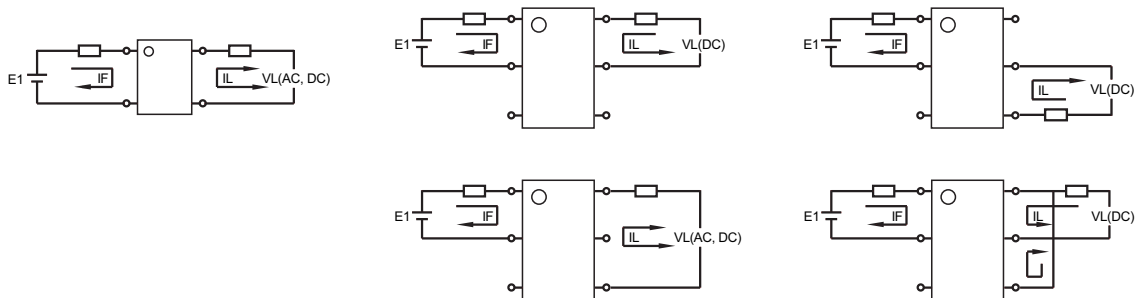


Notes: the specific dimensions A,B of above figure are as follows.

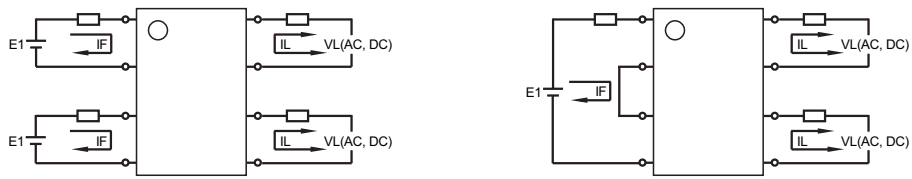
DIP type / SMD type		
Pins	Dimensions A (mm)	Dimensions B (mm)
4 pins	4.7	2.54
6 pins	8.8	5.08
8 pins	9.78	7.62

SOP type		
Pins	Dimensions A (mm)	Dimensions B (mm)
4 pins	4.7	2.54
6 pins	6.3	5.08
8 pins	9.3	7.62

Wiring Diagram

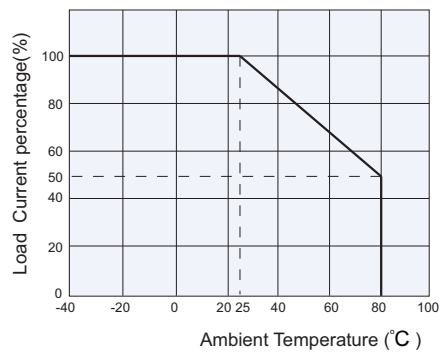


Wiring Diagram



CHARACTERISTIC CURVES

Load Current percentage
vs. Ambient Temperature



Disclaimer

This datasheet is for the customers' reference. All the specifications are subject to change without notice.

We could not evaluate all the performance and all the parameters for every possible application. Thus the user should be in a right position to choose the suitable product for their own application. If there is any query, please contact Hongfa for the technical service. However, it is the user's responsibility to determine which product should be used only.

© Xiamen Hongfa Electroacoustic Co., Ltd. All rights of Hongfa are reserved.