

HF3501/ HF3508

FLASHER



Typical Applications

Turn signal & Hazard warning lamp control

Features

- Special integrate circuit, good performance
- Special high-performance contacts, ultra-long Electrical endurance
- Including LED / halogen lamp load
- Surface mounting technology, advanced craftwork
- Solid base design, stable structure
- Ingress protection: IP52

TYPE

Type	Product series name	Dimensions	Output mode
HF3501	Automotive flasher	(30 × 30 × 40) mm	Single output
HF3508 ¹⁾	Miniature automotive flasher	(30 × 30 × 30) mm	Single output

1) The application of HF3508 series can be expanded to halogen lamp load of (21W+5W)+5W(LED).

CHARACTERISTICS

Type		HF3501	HF3508
Nominal voltage		12VDC / 24VDC	12VDC
Operating voltage	12V System	9VDC to 16VDC	9VDC to 16VDC
	24V System	18VDC to 32VDC	—
Nominal load	Turning mode	2×21W + 5W	2×21W + 5W
	Hazard mode	2×(2×21W + 5W)	2×(2×21W + 5W)
	Lamp outage mode	21W + 5W	21W + 5W
Flash frequency		(60 to 110)ops / min	(60 to 110)ops / min
Lamp failure flash frequency		(140 to 230)ops / min	(140 to 230)ops / min
Electrical endurance	Turning 15s on/15s off 12V	1000h	1000h
	Hazard continuously 12V	360h	360h
	Turning 15s on/15s off 24V	400h	—
	Hazard continuously 24V	200h	—
Duty cycle		30% to 70%	30% to 70%
Ambient temperature		-40°C to 85°C	-40°C to 85°C
Vibration resistance		10Hz to 200Hz 49m/s ²	10Hz to 200Hz 49m/s ²
Shock resistance		196m/s ²	196m/s ²
Unit weight		Approx.40g	Approx.30g
Mechanical performance	Cover retention	160N min.	160N min.
	Terminal retention	100N min.	100N min.



HONGFA RELAY

ISO9001, ISO/TS16949, ISO14001, OHSAS18001, IECQ QC 080000 CERTIFIED

2012 Rev. 1.01

ORDERING INFORMATION

	HF3501 / HF3508 /	12	-H	-B	R	(XXX)
Type	Suffix (A-Z) is for specific extending application					
Nominal voltage	12: 12VDC 24: 24VDC (Only for HF3501)					
Contact arrangement	H: 1 Form A					
Mounting mode	B: With bracket Nil: without bracket					
Polarity logic	R: Reverse polarity Nil: Normal					
Customer special code						

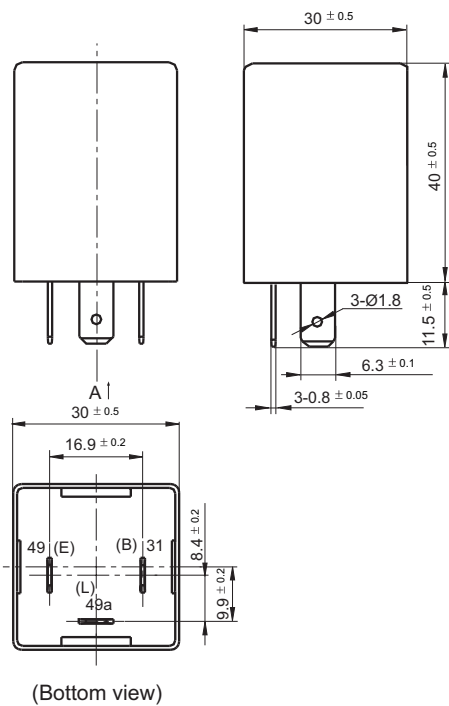
1) When there is other special requirement, please contact Hongfa for more technical support.

OUTLINE DIMENSIONS, WIRING DIAGRAM

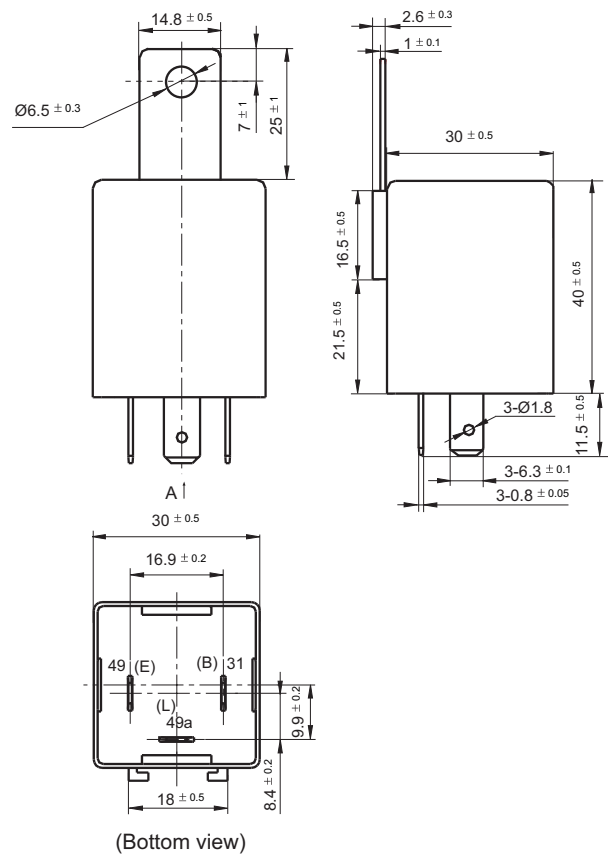
Unit: mm

OUTLINE DIMENSIONS

HF3501/□□-H-□(XXX)



HF3501/□□-H-B□(XXX)

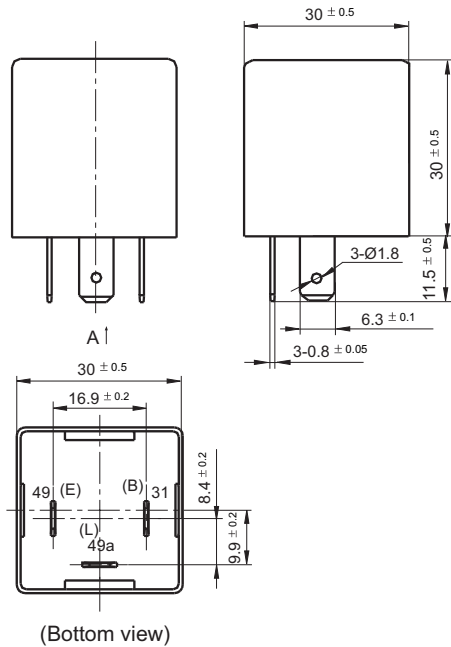


OUTLINE DIMENSIONS, WIRING DIAGRAM

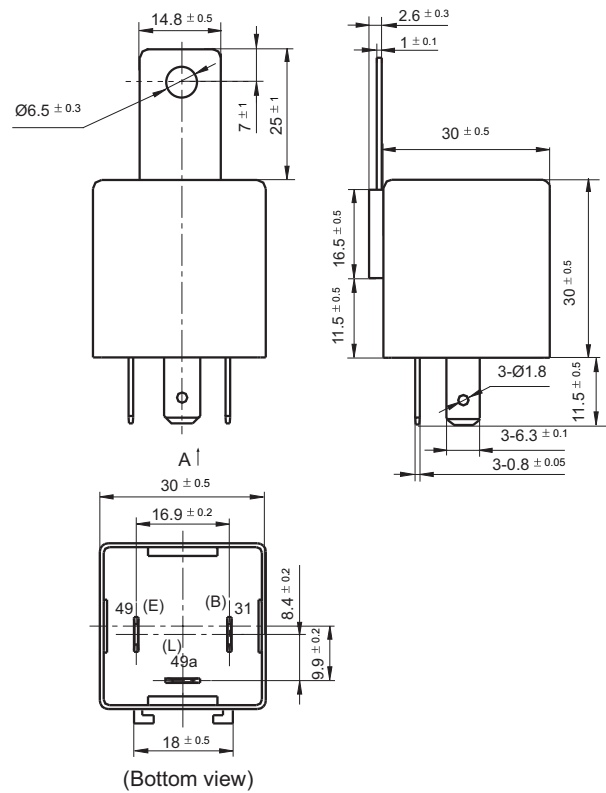
Unit: mm

OUTLINE DIMENSIONS

HF3508/12-H-□(XXX)

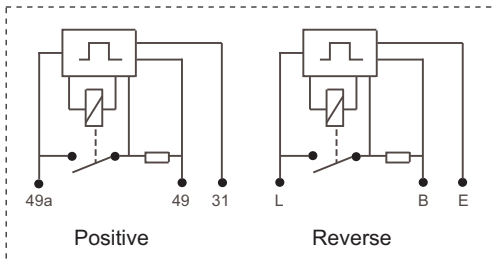


HF3508/12-H-B□(XXX)



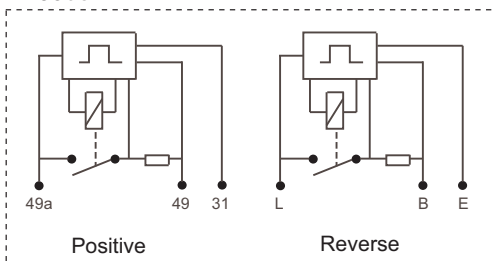
WIRING DIAGRAM

HF3501



- As shown in wiring diagram, the terminal 49(B) is connected with positive electrode of power supply of 12V or 24V. The 31(E) terminal is connected with negative electrode of power supply, the 49a(L) is connected with lamp load. When lamp load is 2 x 21W + 5W or 4 x 21W + 2 x 5W, the flasher will control lamp to flash by the frequency of (60 to 110) times per minutes. When lamp load is 1 x 21W + 5W (one lamp of 21W is broken down), the flasher will control lamp to flash by frequency of (140 to 230) times per minutes.

HF3508



- As shown in wiring diagram, the terminal 49(B) is connected with positive electrode of power supply of 12V. The 31(E) terminal is connected with negative electrode of power supply, the 49a(L) is connected with lamp load. When lamp load is 2 x 21W + 5W or 4 x 21W + 2 x 5W, the flasher will control lamp to flash by the frequency of (60 to 110) times per minutes. When lamp load is 1 x 21W + 5W (one lamp of 21W is broken down), the flasher will control lamp to flash by frequency of (140 to 230) times per minutes.

Disclaimer

This datasheet is for the customers' reference. All the specifications are subject to change without notice.

We could not evaluate all the performance and all the parameters for every possible application. Thus the user should be in a right position to choose the suitable product for their own application. If there is any query, please contact Hongfa for the technical service. However, it is the user's responsibility to determine which product should be used only.

© Xiamen Hongfa Electroacoustic Co., Ltd. All rights of Hongfa are reserved.