

# HF3605

# WINDOW CONTROLLER



### Typical Applications

Automotive Window Control

### Features

- Special integrate circuit, reliable
- With Manual & automatic up-downfunction
- With Overload protection under the automatic function
- Connect with DJ7081-2.3-20 easy to mount

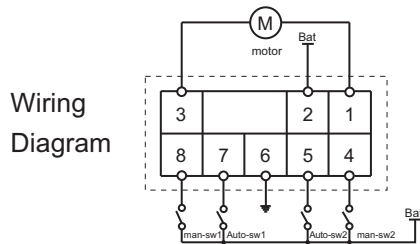
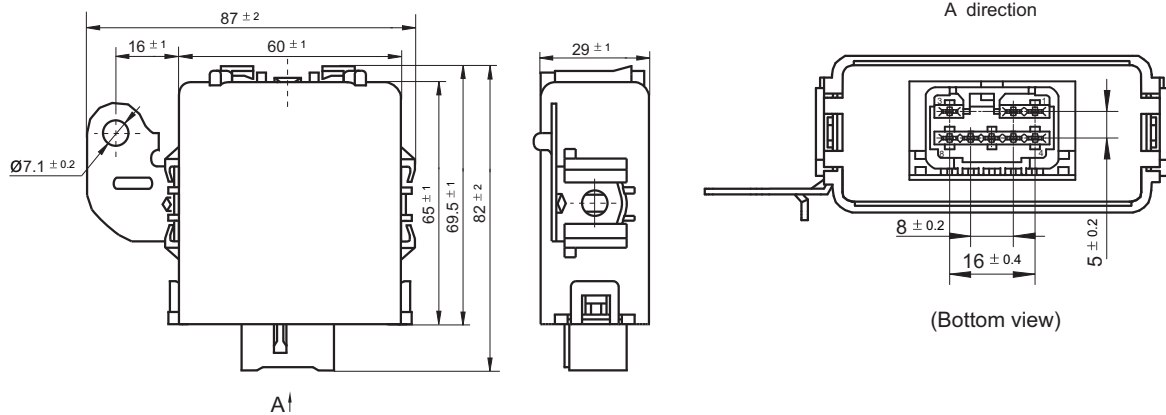
## CHARACTERISTICS

Nominal voltage	12VDC
Operating voltage range	9VDC to 16VDC
Contact rating	10A 12VDC (Simulated motor load)
Electrical endurance	5×10 <sup>4</sup> OPS (Simulated motor load 10A with Un-reversed and Reversed operation, and operating on 10.2s on 9.8s off respectively)
Ambient temperature	-40°C to 85°C
Weight	Approx. 82g

## OUTLINE DIMENSIONS AND WIRING DIAGRAM

Unit: mm

### Outline Dimensions



- 1) As left shown HF3605, 1 and 3 - motor, 2 - Battery+, 6 - GND, 4 and 8 - Manal switch inputs, 5 and 7 - Auto-switch inputs.
- 2) Output 1 is positive and 3 is negative when 4 or 5 active.
- 3) Output 3 is positive and 1 is negative when 7 or 8 active.



HONGFA RELAY

ISO9001, ISO/TS16949, ISO14001, OHSAS18001, IECQ QC 080000 CERTIFIED

2012 Rev. 1.01