




49F/49FA Sockets

RELAY SOCKETS







Features


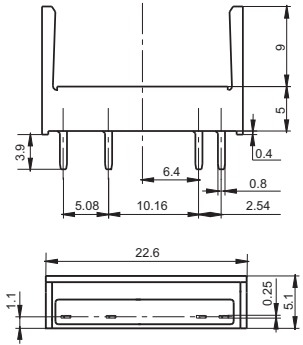
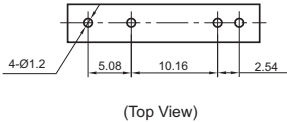

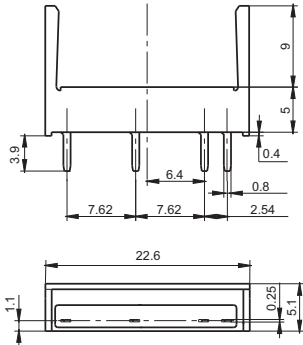
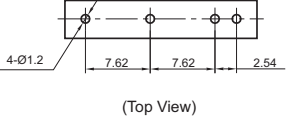
- The dielectric strength can reach 2000VAC and the insulation resistance is 1000MΩ
- Ensure secure retention of relays
- Components available: Removal tool
- Applicable relay types: HF49FD
- Environmental friendly product (RoHS compliant)

CHARACTERISTICS

Type	Nominal Voltage	Nominal Current	Ambient Temperature	Dielectric Strength min.
49F/49FA	250VAC	7A	-40 °C to 70°C	2000VAC

OUTLINE DIMENSIONS, WIRING DIAGRAM AND PC BOARD LAYOUT

Unit: mm

Socket	Outline Dimensions	PCB Layout	Components Available
<p>49F</p>  <p>PCB terminal, PCB mounting Applicable for HF49FD 1 type</p>	 <p>(Top View)</p>	 <p>(Top View)</p>	<p>removal tool 49F-B</p>
<p>49FA</p>  <p>PCB terminal, PCB mounting Applicable for HF49FD 2 type</p>	 <p>(Top View)</p>	 <p>(Top View)</p>	<p>removal tool 49F-B</p>



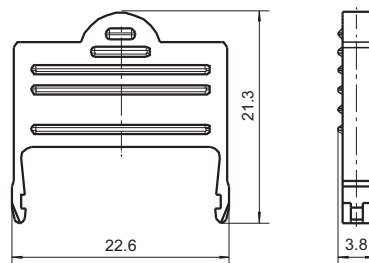
HONGFA RELAY

ISO9001, ISO/TS16949, ISO14001, OHSAS18001, IECQ QC 080000 CERTIFIED

2012 Rev. 1.02

Removal Tool

49F-B



Things to be noticed when selecting sockets:

1. Please choose suitable relay socket according to the actual mounting environment, relay contact poles and terminal layout. If there is any query on selection, please contact Hongfa for the technical service.
2. As for related components, they should be selected separately. Please do give clear indication of the types of relay sockets and related components you choose while placing order.

Disclaimer

This datasheet is for the customers' reference. All the specifications are subject to change without notice. We could not evaluate all the performance and all the parameters for every possible application. Thus the user should be in a right position to choose the suitable product for their own application. If there is any query, please contact Hongfa for the technical service. However, it is the user's responsibility to determine which product should be used only.